

7.5 - 18 GHz Wideband Antenna for Jamming and Surveillance

MODEL EW7-18/90436



Designed for high power jamming these antennas incorporate a number of novel features. They are of very rugged construction commensurate with military applications and offering full waveguide band power handling capability.

NB A lower power version of this antenna targeted at surveillance and SIGINT applications with a coaxial Type N connector is also available (*Part Number EW7-18/90585*).

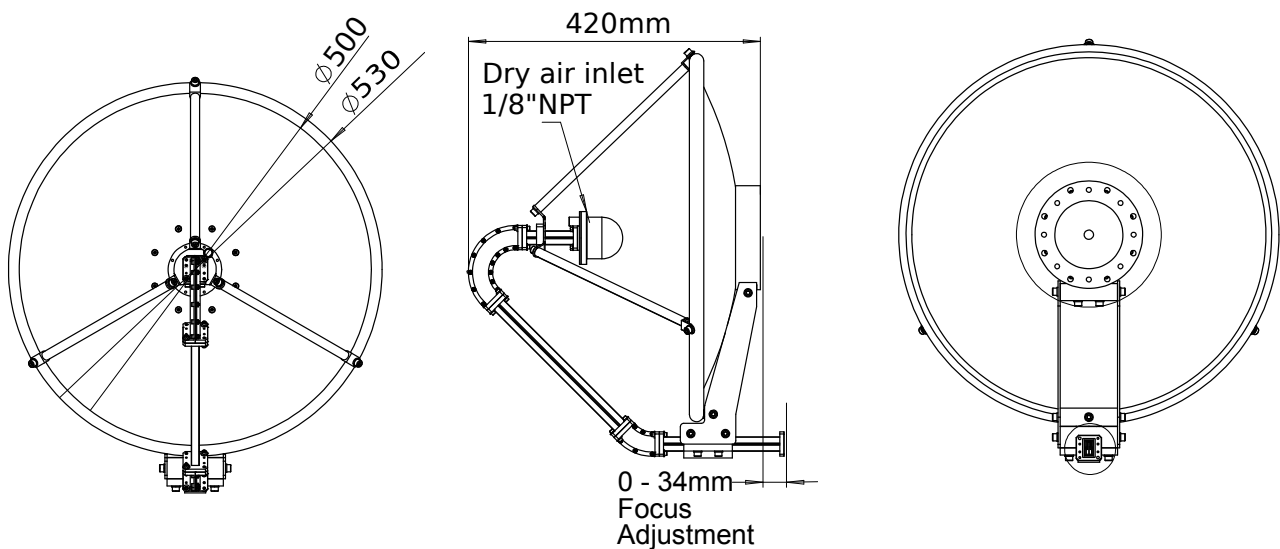
These antennas are equally suitable for both EW and Elint applications.

Features

- The waveguide bends are machined from solid to provide high power transmission and low VSWR
- The focus of the antenna can be adjusted to either optimise the gain or widen the beam width over the band
- The mounting boss allows rotation for vertical, horizontal or slant polarisation
- The waveguide can be pressurised to allow higher power handling if required

Technical Data

Antenna diameter	Termination	CW power handling	Pulsed power handling	VSWR	Rear mounting boss	Weight
0.5m	WRD 750 waveguide plane flange	4.4 kW with dry air at 1 atmosphere	35 kW peak with dry air at 1 atmosphere	Typically < 2:1	8 equi-spaced M8 tapped holes on 125 PCD	5.1kg



Antenna Gain

Frequency GHz	7.5	8	10	12	14	16	18
Gain dBi	29.5	30.3	32.5	34.1	35.0	35.7	35.0
-3dB Beamwidth	6.8	6.4	4.9	4.0	3.7	3.5	3.7

NB Since the feed phase centre moves with frequency, the user can adjust the feed position and alter the gain profile over the band. Focussing at the low frequency end of the band will flatten the gain curve whereas focussing at the higher end of the band will increase the overall gain. For these reasons the gain table should be regarded as indicative.

Elite design & manufacture a wide variety of L, C, X, Ku, & Ka band antennas for high-end customers including defence agencies, commercial broadcast networks, systems integrators and research agencies.

Contact us for more information on any of our products and services.



Phone: +44 (0) 1568 612050
sales@elite-antennas.com - www.elite-antennas.com
 Designed and made in Great Britain

