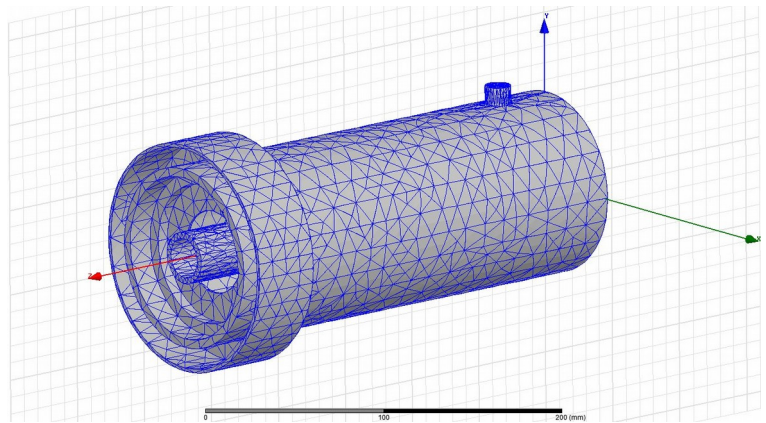


Press Contact

Name: Julian Robbins
Contact Title: Marketing Engineer
Company Name: Elite Antennas Ltd
Phone Number: +44 1568 612050
Email Address: julian.robbs@elite-antennas.com
Website URL: www.elite-antennas.com



Elite Antennas Announces New Dual S & X Band Antenna Feed



Elite Antennas is pleased to announce its new S and X band feed suitable for Cubesat applications. Customer demand led to the development and supply of a 2 port S/X band working prototype feed suitable for a 2.4m fixed antenna.

Technical Specification

- 2 port S/X band feed
- One Tx port, RHCP, 2.40 – 2.41 GHz
- One Rx port, VLP, 10.485 – 10.500 GHz
- Tx interface - coaxial cable, max power handling 100W CW
- Rx interface - WR75 waveguide.

In addition a X band OMT and circular to square waveguide transition for the S/X antenna is being developed to allow additional X band downlink monitoring on both polarisations.

Elite is keen to work with its customers to provide turnkey solutions to standard and custom antenna requirements.

Please contact the company on sales@elite-antennas.com for a quote or a technical proposal.

About Elite Antennas

Elite Antenna's principal area of expertise is the design and manufacture of antennas for satcoms, surveillance and weather radars at C, X, Ku and Ka bands. A wide range of spun reflectors, antenna feeds, polarisers and other antenna components are produced as standard and items may also be designed to customer specification. Resources include HFSS microwave design software, Solidworks mechanical design software and a dedicated microwave laboratory used by our skilled design engineers. Staff include two PhD's, three first degrees and various technical level qualifications.

Elite Antennas Ltd. filled the gap in the antenna market which was left when Precision Antennas Ltd closed in 2008. Elite purchased much of Precision's production equipment, and is now the largest European producer of spun antennas. Reflectors with diameter up to 4.5m are available.

The company produces reflectors with a wide range of F/D ratios and is able to manufacture "specials" when needed. The company also manufactures antenna pedestals and positioning systems, both manually and electronically controlled. Steelwork is produced by our own fully approved welders.

Elite Antennas Ltd is ISO9001:2008 certificated. Many products are exported and customers include government and commercial establishments worldwide including Europe, the US, Asia and the Middle East.

ENDS # # #